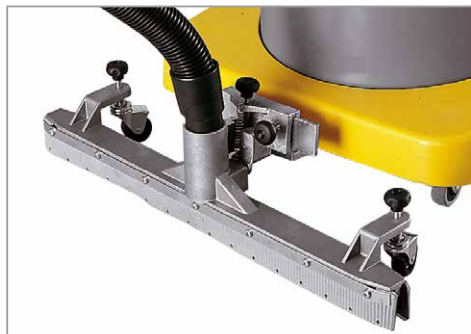


## ACCESSORIES FOR VACUUM CLEANERS

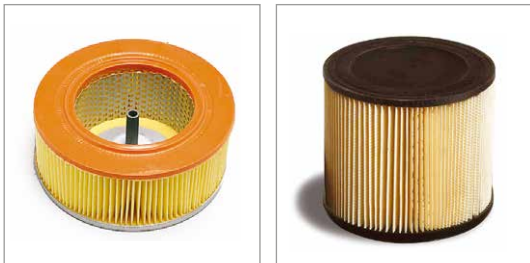




	Ref. No.	Description
<b>TEXTILE FILTERS</b>	6595000	AS5
	6588010	T1, T1 BC
	6610000	AS7, AS10
	6656000	ASL7, ASL10, SP7 l'Artigiano
	6620000	AS8, SP8/combi, AS27
	6730000	SP9/combi, AS400, AS9
	6830000	AS12, M26, AS59, AS590, AS60, AS600
	6895000	AS 30 IK, AS 40 IK
	6895510	Filter for manual filtershaking system
	6911005	AZ 35
6912000	AZ 45	



<b>NYLON FILTERS</b>	3001200	AS7, AS10
	3001210	ASL10, ASL7, AS8, SP8/combi, AS27, ASL7
	3001225	AS9, SP9/combi, AS400
	3001220	AS12, M26, AS59/590, AS30/40, AS60/600
	20-701	SP7 l'Artigiano
	20702H	SP8 P Finedust
	3001215	AZ 45
	20-703	AZ 35



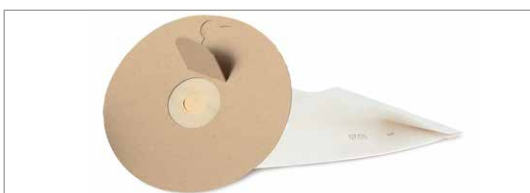
<b>CARTRIDGE FILTERS</b>	2512749	T1, T1 BC
	MK-016	AS2
	2512702	AS5, DOMOVAC
	2512750	AS6
	2512745	AS7, ASL7, SP7 l'Artigiano
	2512746	AS8, AS9, SP8/combi, SP9/combi
	2512743	AS12, M26, AS59, AS590, AS30, AS40, AS60, AS600
	2512715	AS400



<b>HEPA CARTRIDGE FILTERS</b>	2512751	T1, T1 BC
	MK-041	AS2
	2512709	AS5, DOMOVAC
	2512755	AS6
	2512747	AS7, SP7 l'Artigiano
	2512748	AS8, AS9, SP8/combi, SP9/combi
	2512700	AS10, ASL10
	2512710	AS27
2512744	AS12, M26, AS59/590, AS30/40, AS60/600	



<b>PAPER FILTER BAGS</b>	6588035	T1, T1 BC (x 10)
	MK-042	AS2 (x 5)
	6595030	AS5, DOMOVAC (x10)
	6582030	AS6 (x 10)
	6650030	AS10, ASL10, AS7, ASL7, SP7 (x 10)
	6713030	AS27, AS8 (x 10)
	6830030	AS9, AS12, AS59/590, AS400, SP8/P Finedust/combi, SP9/combi, M26, AS30, 600 P CBN (x 10) AS 60 P
	6588005	BRICIOLO (x 10)



<b>FLEECE FILTER BAGS</b>	6588060	T1, T1 BC (x 10)
---------------------------	---------	------------------



<b>NONWOVEN FABRIC FILTER BAGS</b>	6620020	NONWOVEN FABRIC FILTER BAG AS27 IK HD
	6730015	NONWOVEN FABRIC FILTER BAG AS400 IK HD
	6830015	NONWOVEN FABRIC FILTER BAG AS59/AS60 IK HD

**ACCESSORIES Ø 32 mm**



ACCESSORIES Ø 32 mm

Ref. No.	Description	
MK-024	Flexible hose 2,5 m AS2	A
6010667	Flexible hose 2,5 m AS6	B
6010604	Flexible hose 2,5 m AS5	C
6010609	Flexible hose 1,5 m T1 - T1 BC	D
MK-022	Telescopic tube alu	E
2511926	Telescopic tube (max 1,35 m)	
2512015	Extention tube 0,5 m	
01-341	Extension tube 0,5 m ALU	F
2511538	Combi floor tool	G
2511523	D320 dry floor tool	H
2512594	RD285 dry floor tool	J
856000101	Upholstery tool	
856000061	Round brush	K
01-327	Radiator brush	L
01-325	Crevice tool	M
856000071	Crevice tool	
5588010	KIT SAVE: carpet brush (1) 2511536 + 1 brush for hard surfaces (2) 2511537 + 1 Telescopic extension tube (max 1,35 m) (3) 2511926	

**ACCESSORIES Ø 36 mm**



ACCESSORIES Ø 36 mm

Ref. No.	Description	
6010648	Flexible hose 2,5 m	A
6010540	Flexible hose Ø 29-5 m	B
2511500	Chromed extension tube 0,5 m	C
2511524	D320 dry floor tool	D
2511526	D300 squeegee tool	E
2511530	Upholstery tool	F
2511540	Round brush	G
2511520	Crevice tool	H
2512050	Oval brush	I

**ACCESSORIES Ø 40 mm**



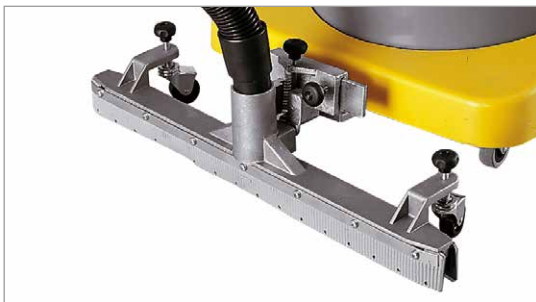
ACCESSORIES Ø 40 mm

Ref. No.	Description	
6010540	Flexible hose Ø 29 - 5 m for special	
6010545	Flexible hose Ø 29 - 5 m for combi	
6010500	Flexible hose 2,5 m	A
6010505	Flexible hose 4 m	
2511600	Suction tube "S"	B
2512000	PVC extension 0,5 m	C
6010000	Floor tool (400 mm)	D
6010011	Squeegee tool (400 mm)	E
2511615	Round brush	F
2511610	Crevice tool	G
2511620	Connection 40/36	
2512610	Carpet tool (400 mm)	H
6170045	KIT AUTO: Special rubber crevice tool (2511611) + Special rubber curved tool (2511613) + brush for curved tool (2511612)	J





ACCESSORIES Ø 50 mm



**ACCESSORIES Ø 50 mm**

Ref. No.	Description	
6010712	Flexible hose 3 m for AS60/600 IK, AZ45	A
6010711	Flexible hose 3 m for AZ35	A
2511700	Curved extension tube Ø 50	B
2512021	PVC extension tube 0,5 m	C
6010050	Adjustable wet brush 0,4 m	D
6010052	Adjustable dry tool 0,4 m	
6010060	Adjustable wet tool 0,5 m	E
6010062	Adjustable dry tool 0,5 m	
2511710	Connection	
2511720	Round brush	G
2511730	Crevice tool	H
5830022	Set accessories Ø 50 (6010711 + 2511700 + 2511720 + 2511730 + 6010050 + 2511710)	

**ACCESSORIES Ø 90 mm**

Codice	Descrizione	LP
6010850	Flexible hose 3 m	
2511800	Extention tube	
2511810	45° Cut tool	
5880060	Set accessories Ø90	

**OTHER ACCESSORIES**

Ref. No.	Description
6895500	Manual filter shaking system
6895510	Textile filter for manual filter shaking system

Ref. No.	Description
6103058	Gangway tool AS400, AS9
6103054	Gangway tool AS12/590/59/60 P/600 P CBN
6103059	Gangway tool AS600/60 IK
6103064	Gangway tool for CMB trolley Ø 50
6103065	Gangway tool for CMB trolley Ø 90
6200150	Anti-foam device
6010313	Discharge hose for inox tank
6010314	Discharge hose for plastic tank

Ref. No.	Description
6102255	Spacer for plastic bag 58L - Ø 50
6102256	Spacer for plastic bag 58L - Ø 90

**ELECTRIC POWER BRUSH**

Ref. No.	Description
2512529	Ø 32 mm - 0,35 m AS5
2512537	Ø 32 mm - 0,35 m AS6 - AS7
2512530	Ø 36 mm - 0,4 m AS10

**BAKING OVEN SET Ø 40 mm**



Ref. No.	Description		
<b>7500903</b>	<b>Complete set (from A to G)</b>		
6010553	Flexible metal/ceramic hose 3 m	A	
2511991	Extension aluminium tube, insulated 1 m	B	
2511992	Extension aluminium tube, half-insulated 1 m	C	
2511995	Extension aluminium tube without insulation 1 m	D	
01-451	Oven nozzle with Teflon	E	
7500912	Antistatic device	F	
6201403	Complete oven cuff	G	
6620005	Oven filter AS 27 - AS 8 I		
6730005	Oven filter AS 400 - AS 9 I		
6830005	Oven filter AS 590 - AS 12 I		

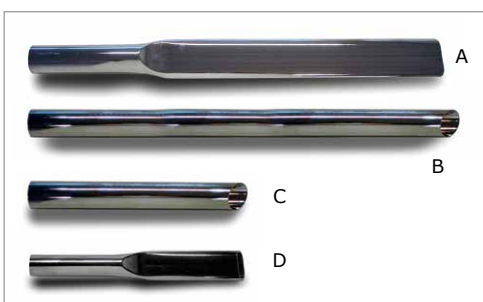
**DRY AND WET/DRY SEPARATOR - SETTLER**



Ref. No.	Description		
19020600001	(*) Stainless steel dry thickener separator		
1897006	(*) Stainless steel dry and wet/dry thickener separator		
1897007	(*) Plastic dry and wet/dry thickener separator on trolley		
	(*) = complete with:		
6010500	Complete flexible tube 2,5 m	A	
2512090	Tool holder	B	
6010200	Tube for cleaning burners 1 m	C	
6010210	Tube for cleaning burners tube 0,5 m	D	
	Flexible connection hoses are not included:		
6010500	For mod. 19020600001 For units with Ø 50 intake		
6010711	For mod. 1897006 e 1897007 - For units with Ø 50 intake		
6010712	For units with Ø 90 intake		



**STAINLESS STEEL ACCESSORIES Ø 40 mm**



Ref. No.	Description		
2511630	Crevice tool L. 605	A	
2511631	45° cut tool L.605	B	
2511632	45° cut tool L.305	C	
2511633	Crevice tool L. 305	D	